

SPECIFICATIONS

Electrical Ratings	50mA @ 48VDC
Electrical Life	100,000 cycles typical
Contact Resistance	< 50 mΩ initial
Actuation Force	130 +/- 50gF 200 +/- 50gF 300 +/- 75gF 500 +/- 100gF
Actuator Travel	1.6 +/- .25mm
Dielectric Strength	500Vrms min
Insulation Resistance	> 100MΩ min
Operating Temperature	-40°C to 85°C
Storage Temperature	-40°C to 85°C



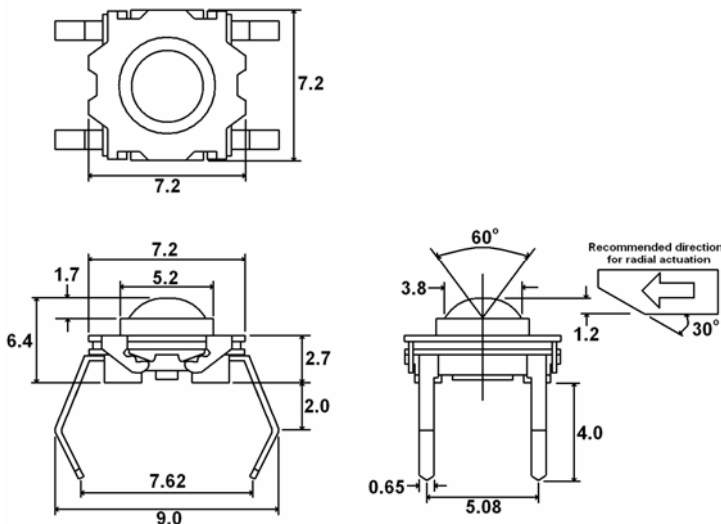
MATERIALS ←RoHS COMPLIANT

Actuator	Stainless Steel
Actuator Cover	Stainless Steel
Switch Housing	6/6 Nylon
Contacts	Stainless Steel, Silver or Gold over Nickel Plated
Terminals	Brass, Silver or Gold over Nickel Plated

ORDERING INFORMATION

1. Series:	STJ	F200	Q
STJ			
2. Actuation Force:			
F130 = 130gF			
F200 = 200gF			
F300 = 300gF			
F500 = 500gF			
3. Contact Material:			
Q = Silver			
R = Gold			

DIMENSIONS



SCHEMATIC & PC LAYOUT

